



EFFICIENCY MEETS EXCEPTIONAL

cable management
for data centers



designed to be better.™

 **legrand**®

MAXIMIZE

your server environment

Data center design is rapidly changing with the newest trends being seen in cloud and colocation server facilities. Increasing server densities, use of fiber optic cables and overhead cabling practices are requiring more modular facility design solutions.

Legrand solutions are designed to keep you ready for the next wave of technology.



maximize space

Cable tray and networking racks are integrated for better space efficiency and effortless installation.

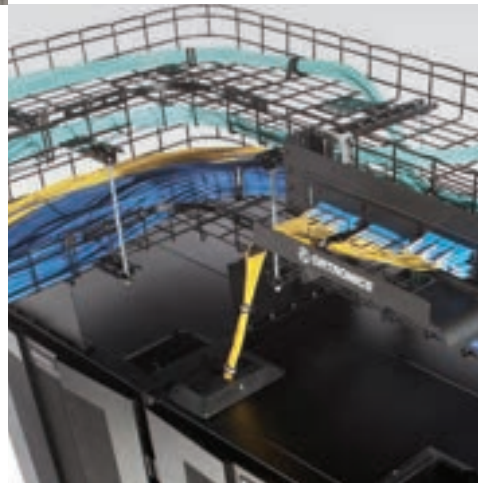


fiber-friendly reliability

Proper support and protection for fiber optic cabling increases reliability with engineered cable drops, covers and liners.

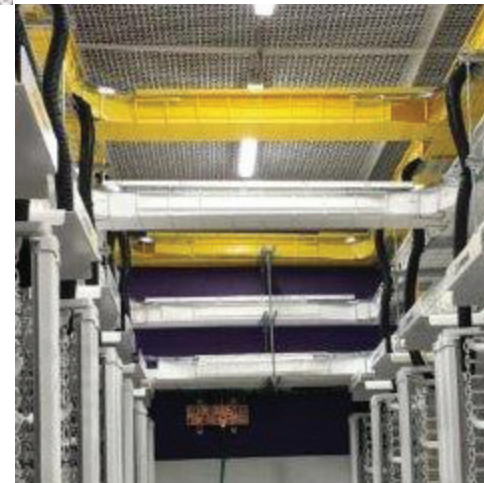
future ready

Coordinated cable pathways for better logic and appearance that make future upgrades simple.



superior looks

Coordinated powder coating of cable tray and physical infrastructure creates a professional appearance and allows for color-coded cable pathways.



minimize the risk of downtime with reliable network infrastructure

Fact: Data center outages cost nearly \$9,000 per minute with maximum downtime costs increasing 81% since 2010 to a current high of \$2,409,991.

engineered cable tray for **EXCEPTIONAL PERFORMANCE**

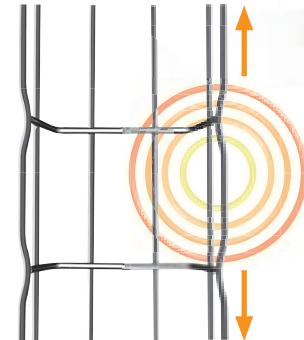
wire mesh tray without equal



New black and white powder coated options follow current data center trends.

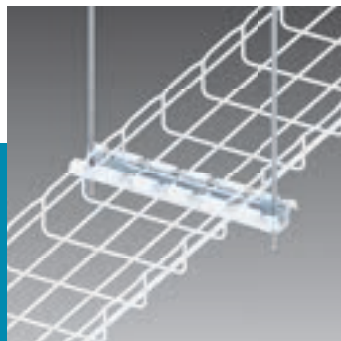


Our powder coated tray method allows a UL approved splice without scraping paint.



The steel structure of Cablofil tray reduces Electromagnetic Interference (EMI) and stray static charges.

easy-to-install supports



FAS (Fast Assembly System) secures tray without additional hardware.



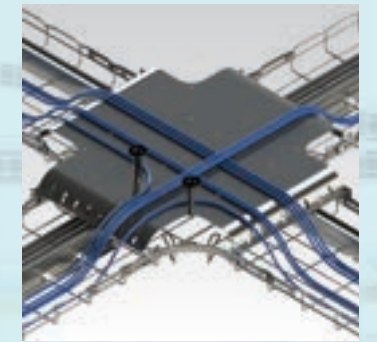
Multiple cable pathways are compact with easy access to cables.



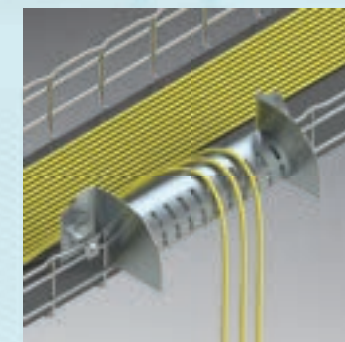
fiber-friendly accessories



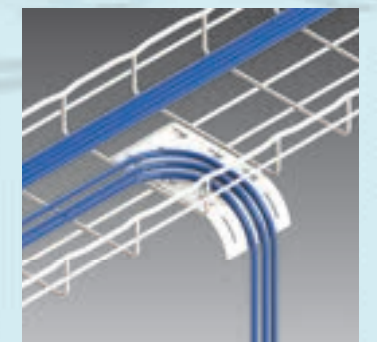
Tray liners provide a smooth, even surface and extra protection for fiber cables.



Cable shields and cross bridges keeps cables separated and safe.



Drop out accessories for fiber cabling drops with wide radius bends for optimal signal efficiencies.



color match your installation

Choose from standard colors or request a custom color

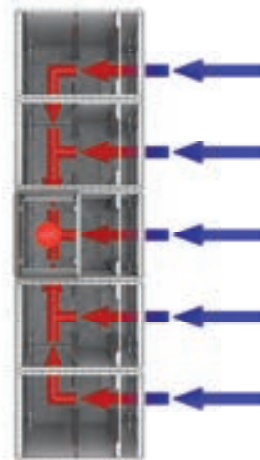


cabinets and cable management with a **COOL FACTOR**

Legrand cabinets provide a comprehensive platform designed to address the most demanding enterprise data center applications with superior modular cable management, scalable airflow management and engineered integration with copper and fiber connectivity.

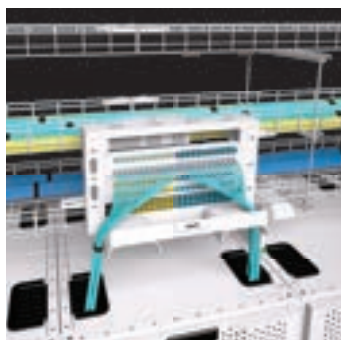
better airflow for effective cooling

With the design of our LX cabinet, multiple cabinets can share a common plenum space in the rear of the cabinets. The hot exhaust air can be directed out the back of a single cabinet, or up through an installed chimney to a drop ceiling, providing additional installation and thermal efficiencies.



additional connectivity

Overhead Cable Pathway Racks attach directly to Cablofil tray and are perfect for new installations that need additional connectivity outside of the rack space. Included cable waterfall helps protect cables exiting the overhead rack.



managed cables for better reliability



Specially designed brackets mount to the top of LX cabinets and support Cablofil® cable tray, providing a cost-efficient and more compact alternative to ceiling suspended cable management. FAS style tabs secure tray without the need for additional hardware or tools.



Integrated vertical managers on the left and right side of the rack rails allow for improved cable routing to and from the included network, storage or server equipment. Utilizing rear lacing bars to mount Raritan® and Server Technology® power distribution units (PDUs) or help manage cable bundles.

improving airflow around cables and servers increases reliability

Fact: 84% of data centers had issues with power, space and cooling capacity that negatively impacted business operations.